



Cat[®] TH255C

TELEHANDLER

Specifications

Engine

Model	Deutz TD 2.9L L4*	
Gross Power	55 kW	74 hp
Maximum Torque @ 1,800 rpm	260 N·m	
Displacement	2.9 L	

*Meets EU Stage IIIB emission standards.

Weights

Operating Weight with Carriage and Forks	5010 kg
--	---------

Operating Specifications

Rated Load Capacity	2500 kg
Maximum Lift Height	5600 mm
Maximum Forward Reach	3300 mm
Capacity at Maximum Height	1360 kg
Capacity at Maximum Reach	780 kg
Turning Radius over Tires	
12 × 16.5 Tires	3200 mm
14 × 17.5 Tires	3100 mm
Top Travel Speed	
12 × 16.5 Tires	24 km/h
14 × 17.5 Tires	27 km/h

Service Refill Capacities

Fuel Tank	91 L
Hydraulic System	91 L

Tires

Standard	12.00 × 16.5
Optional	14.00 × 17.5 10.5 × 18.0

Brakes

Service Brakes	Inboard wet disc brakes on front axle
Parking Brakes	Wet disc spring-applied hydraulic release

- Light on dash indicates when brake is on.

Axles

- Planetary on front and rear axles.
- High bias limited slip differential on front axle.

Hydraulic System – Implement

Pump Type	Gear pump
Maximum System Pressure	241 bar
Maximum Pump Flow	72.3 L/min

- Auxiliary Hydraulic Circuit used for all attachments equipped with cylinders or other hydraulic components. Consists of valves, controls, and hydraulic lines.

Transmission

Transmission	Hydrostatic
Forward	Variable Speed
Reverse	Variable Speed

Boom Performance

Boom Up	6.6 Seconds
Boom Down	8.2 Seconds
Tele In	3.5 Seconds
Tele Out	6.7 Seconds
Bucket Dump	2.3 Seconds
Bucket Crowd	1.8 Seconds
Drawbar Pull (Loaded)	38.7 kN

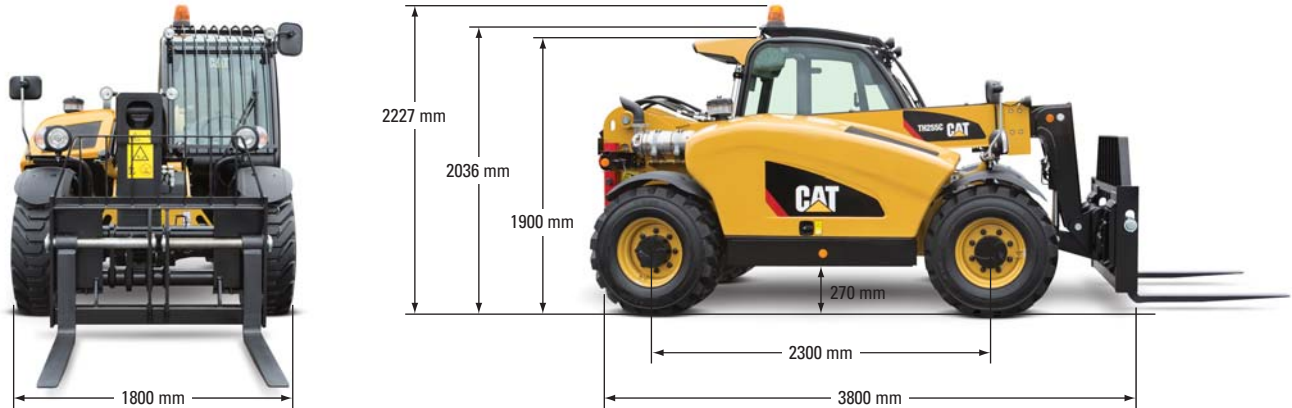
Instruments

- Indicators for machine hours, fuel-level, steer mode, steering pressure, battery charge, coolant temperature, parking brake and engine pre-heat.
- Reverse motion alarm.
- Panel and switches are illuminated for night operation.

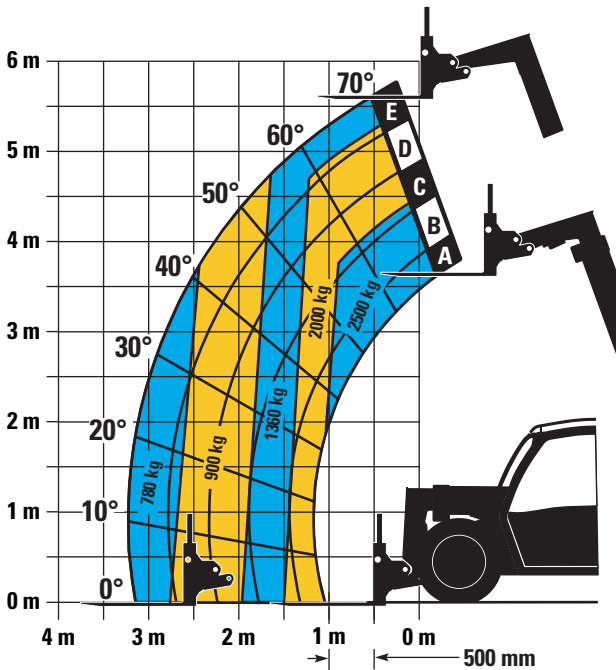
TH255C Telehandler

Dimensions

All dimensions are approximate.



Load Chart and Dimensions



IMPORTANT

Rated lift capacities shown are with machine equipped with carriage and pallet forks. The machine must be level on a firm surface with undamaged, properly inflated tires. Machine specifications and stability are based on rated lift capacities at specific boom angles and boom lengths. (If specifications are critical, the proposed application should be discussed with your dealer.)

DO NOT exceed rated lift capacity loads, as unstable and dangerous machine conditions will result.

DO NOT tip the machine forward to determine the allowable load.

Due to continuous product improvements, machine specifications and/or equipment changes may be made without prior notification.

For more complete information on Cat® products, dealer services, and industry solutions, visit us on the web at www.cat.com

© 2013 Caterpillar
All Rights Reserved
Printed in U.S.A.

Materials and specifications are subject to change without notice. Featured machines in photos may include additional equipment. See your Cat dealer for available options.

CAT, CATERPILLAR, SAFETY.CAT.COM, their respective logos, "Caterpillar Yellow" and the "Power Edge" trade dress, as well as corporate and product identity used herein, are trademarks of Caterpillar and may not be used without permission.

AEHQ7090-01 (07-13)
Replaces AEHQ7090

